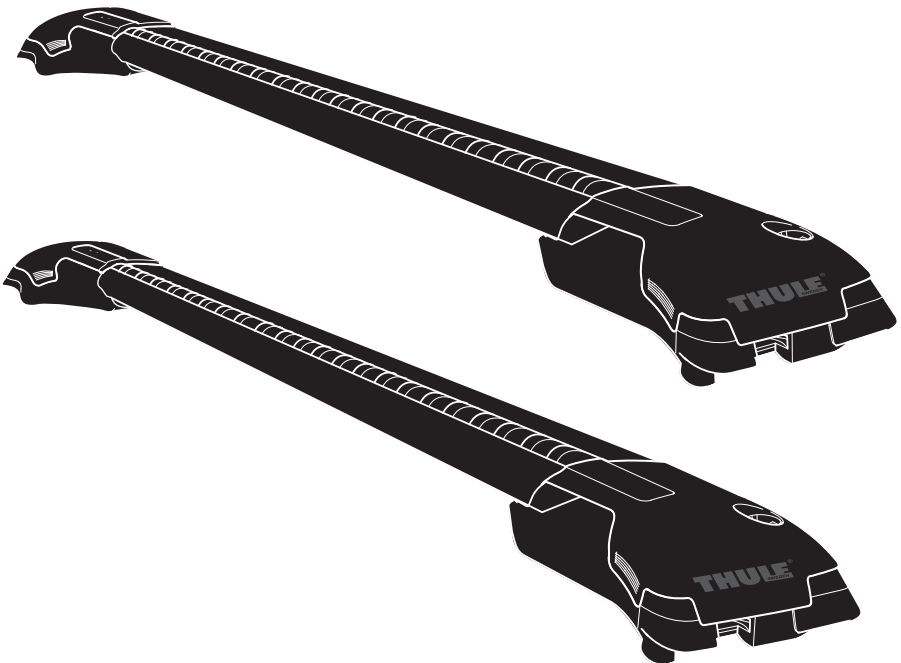


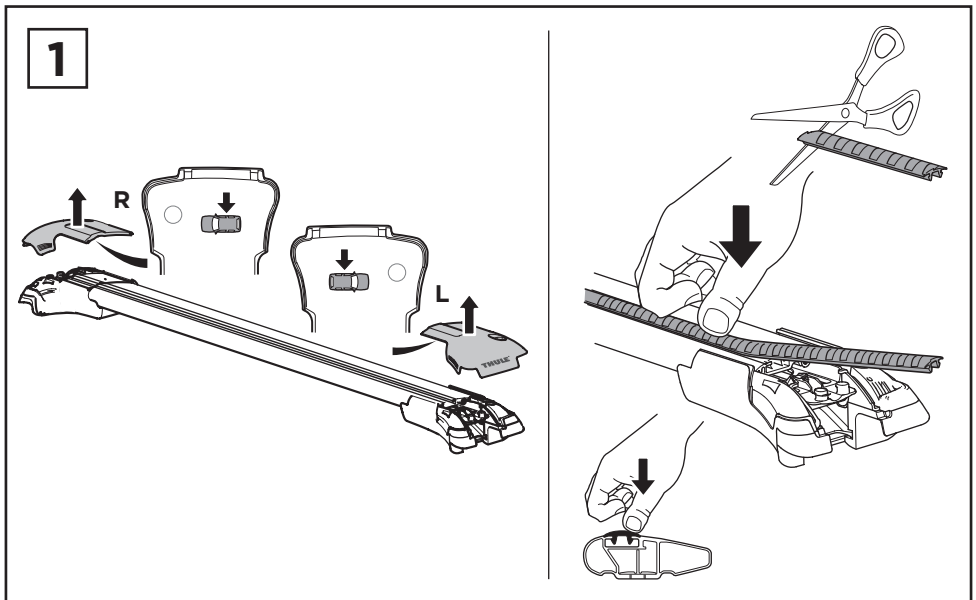
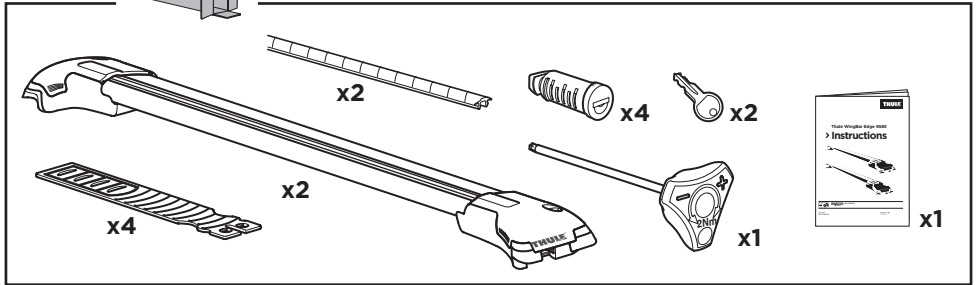
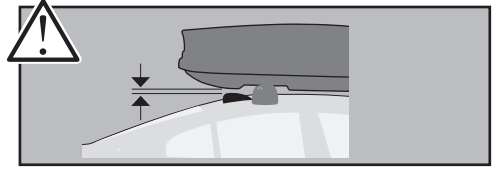
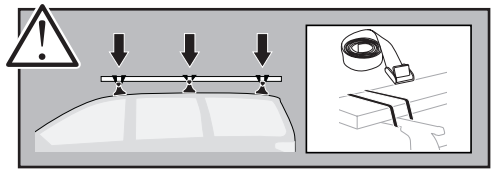
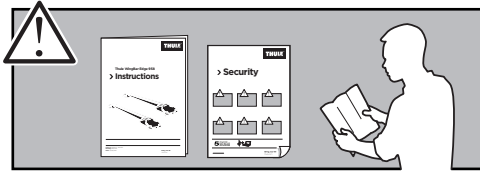
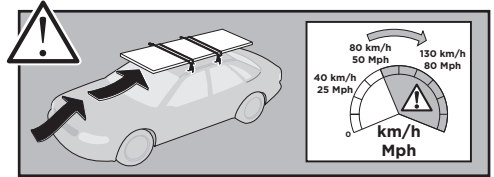
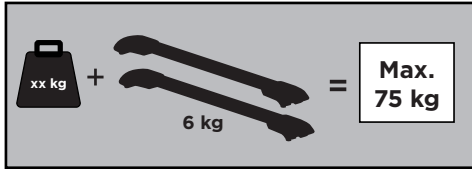
Thule WingBar Edge 958X

> Instructions



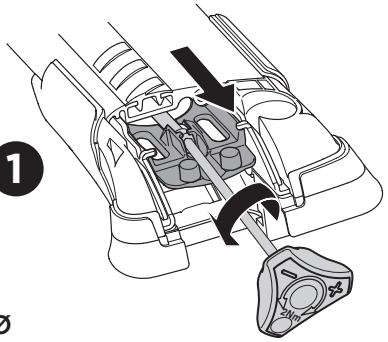
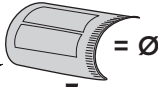
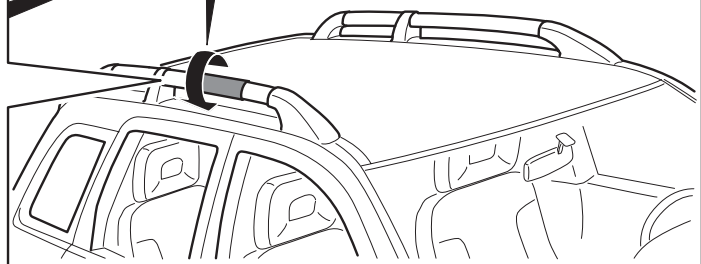
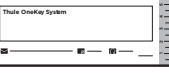
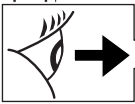
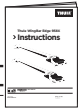
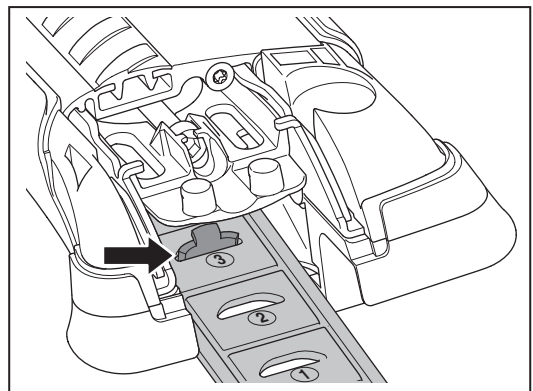
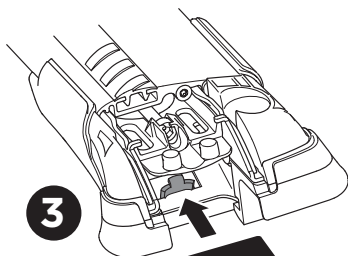
CITY CRASH ISO 11154-E

Complies with ISO norm



2

x2

1**2****i****3**

4

3

2

1



Rail Ø

Hole

79-107 mm

1

107-135 mm

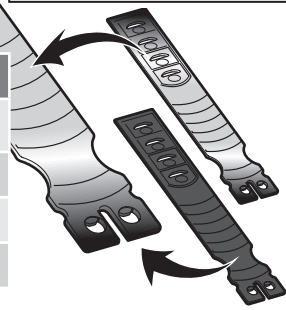
2

135-163 mm

3

163-192 mm

4



i

958100

Wingbar Edge Rail S



958400

Wingbar Edge Rail S/M



958200

Wingbar Edge Rail M



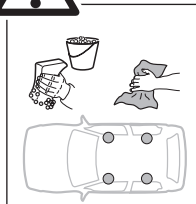
958500

Wingbar Edge Rail M/L

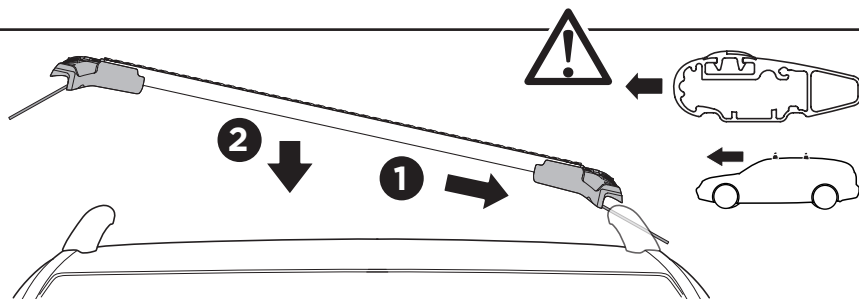


958300

Wingbar Edge Rail L



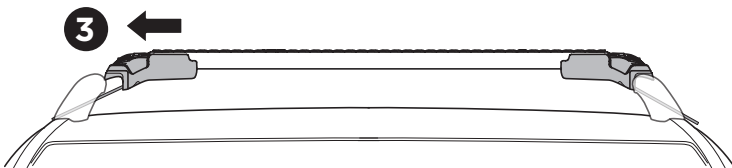
3



2

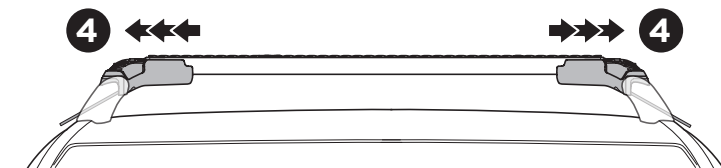
1

3



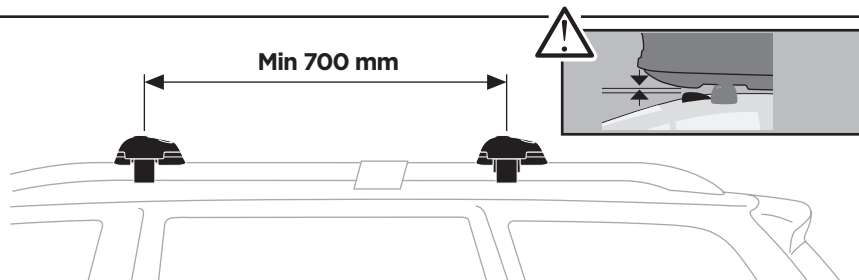
4

4

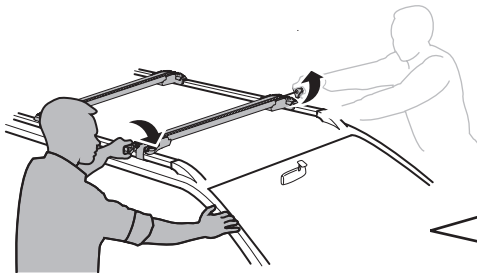
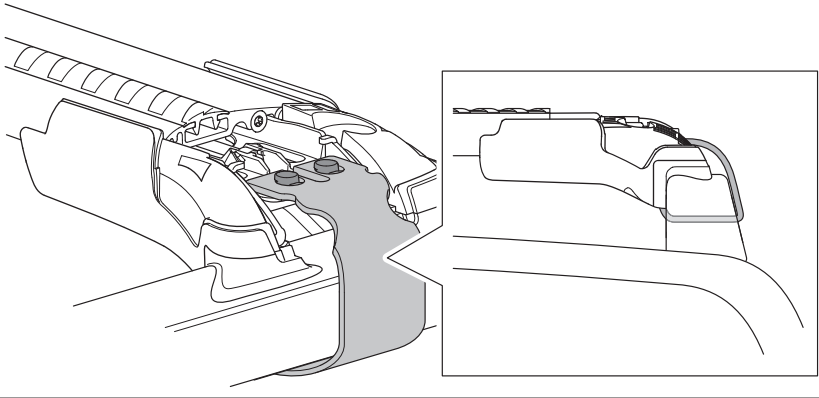


4

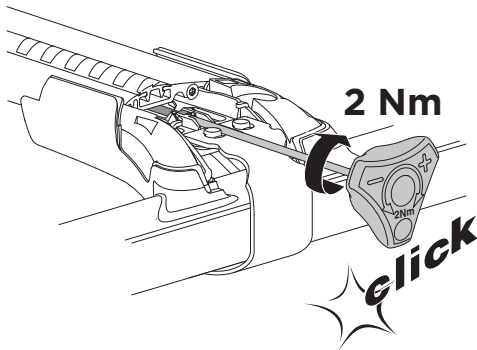
Min 700 mm



5



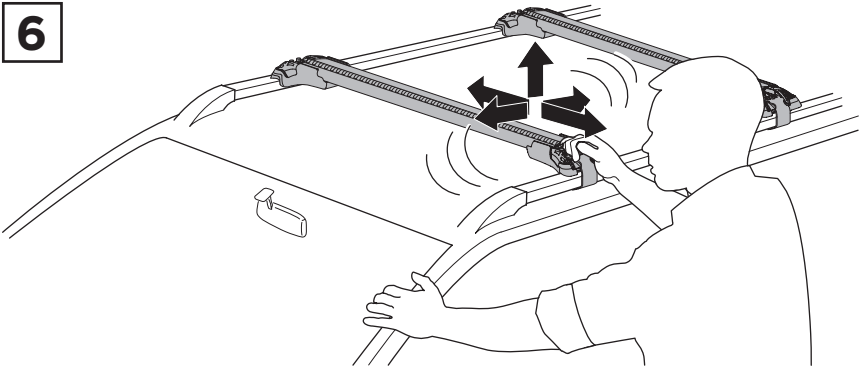
- EN** Tighten alternately
- DE** Die Schrauben abwechselnd anziehen
- FR** Serrer alternativement chaque côté
- NL** Afwisselend aan de linker- en de rechterkant aandraaien
- IT** Alternare il serraggio delle viti
- ES** Apretar alternativamente
- PT** Aperte alternadamente
- SV** Dra åt växelvis
- DK** Spænd skiftevis
- NE** Trekk til vekselvis
- FI** Kierrä vuorotellen
- ET** Pinguldage vaheldumisi
- LV** Pievelciet pamīšus
- LT** Užsukinėkite pakaitomis
- PL** Śruby dokręcaj naprzemiennie
- RU** Затягивайте попеременно
- UK** Затягти по чергово
- BG** Затегнете последователно
- CS** Pokrčtla bagažnika dokrčcaj dokrčcaj naprzemiennie.
- SK** Doťahujte striedavo
- SL** Privijajte izmenično.
- HR/BIH** Naizmjenično zategnite
- RO** Strângeti alternativ
- HU** Egymástól függetlenül szorítandó
- EL** Σφίγγετε εναλλάξ
- TR** Dönüşümlü sıkın



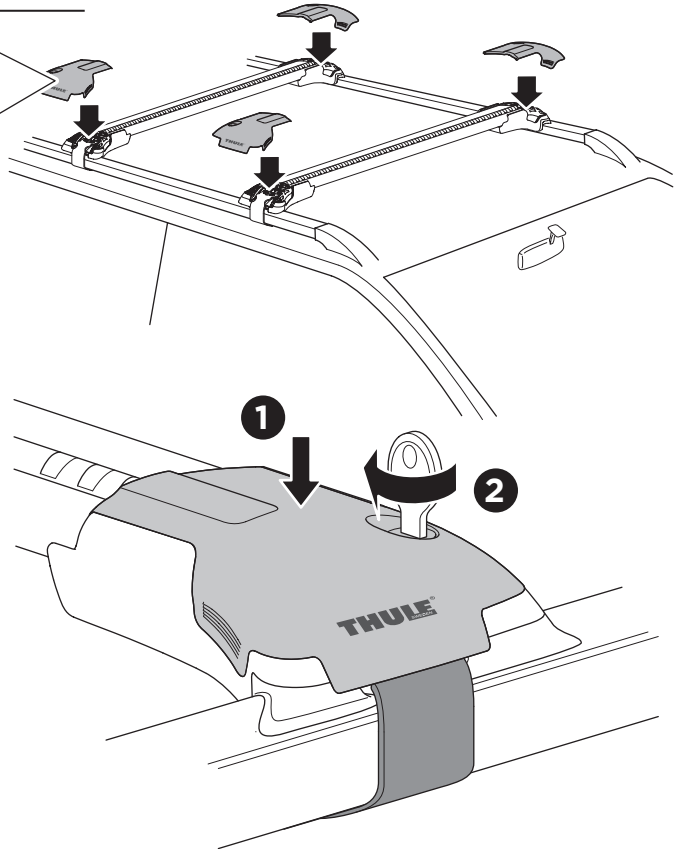
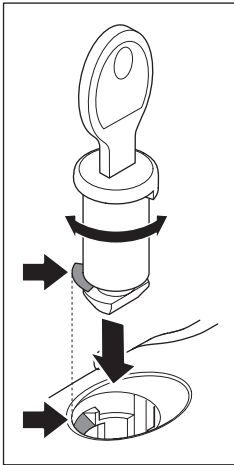
إحكام الربط بالتناوب **AR**
חזק לסירוגין **HE**

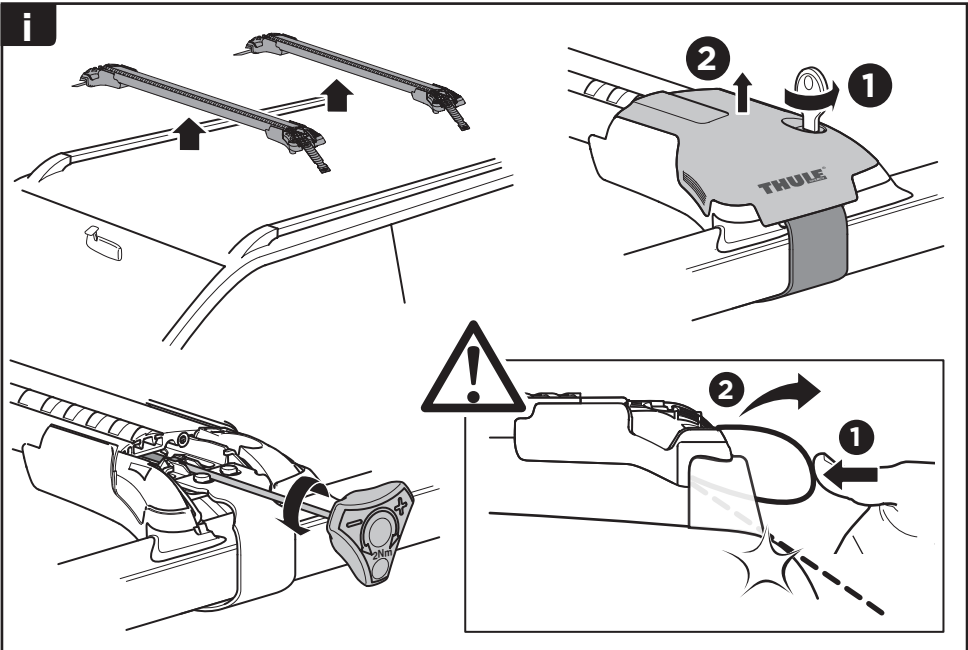
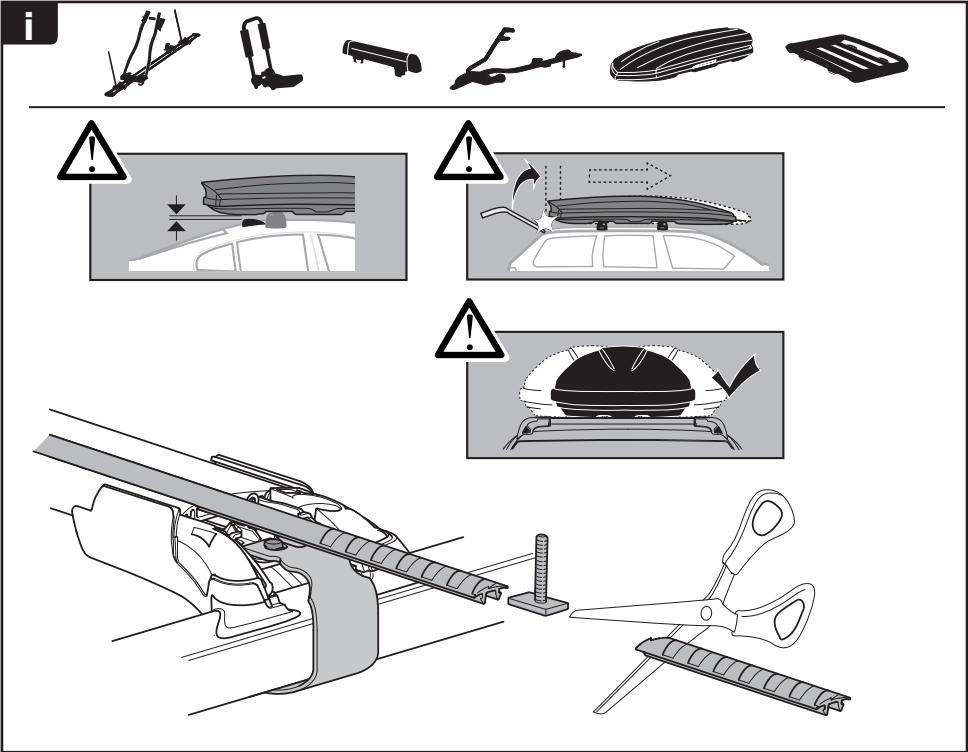
- ZH** 交替拧紧
- JA** 自動固定
- KO** 번갈아 조이기
- TH** ชั้้นโนแบบสลับ

6

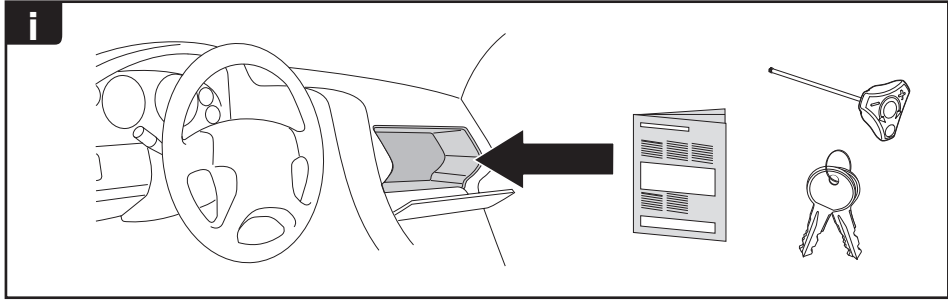
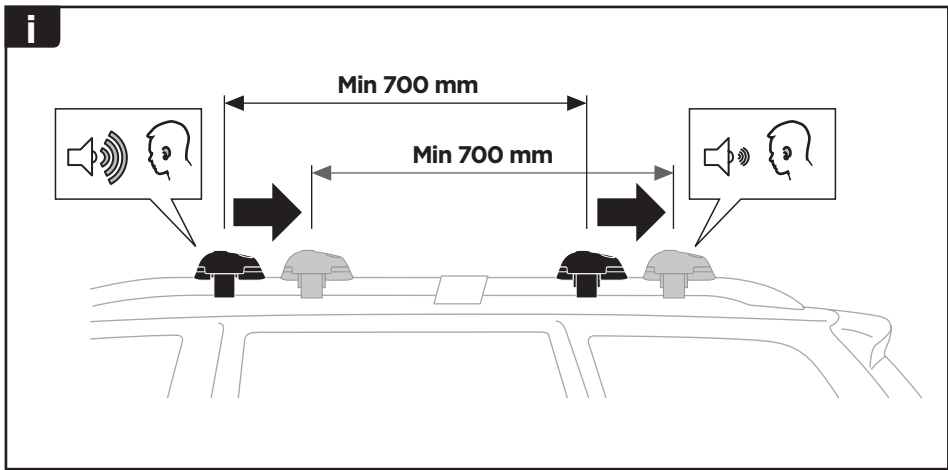


7





20
19
18
17
16
15
14
13
12
11
10
9
8
7
6
5
4
3
2
1



Thule One-Key System

The image displays a large Thule One-Key System keychain on the left. To its right, a horizontal line branches out to show various accessories: a black padlock, a black keychain, a black keychain, a black keychain, a black keychain, a black keychain, and a black keychain.

- 544 (x4)
- 596 (x6)
- 588 (x8)
- 452 (x12)